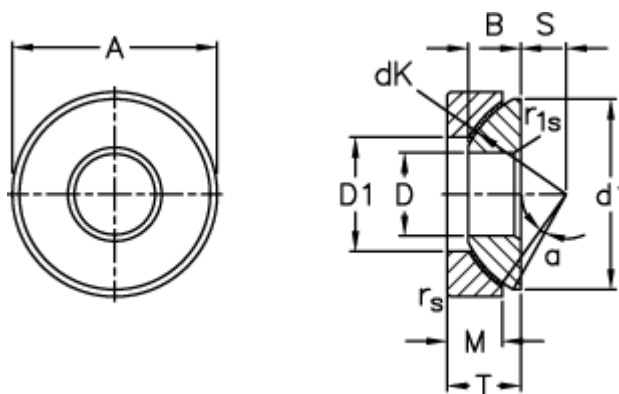


Article number: 03512180

Description: Fluro Rod end GE 180AW

Measures



A	= 320 0 -0,040	rs, r1s min	= 1.5
B	= 74	S	= 67.5
D	= 180 0 -0,025	Static axial load C0 (kN)	= 6400
d1 max	= 299	T	= 86 +0,25 -0,70
D1 min	= 225	Tilt angle	= 4
dK	= 340	Weight	= 30900
Dynamic axial load C (kN)	= 4250		
M	= 62		